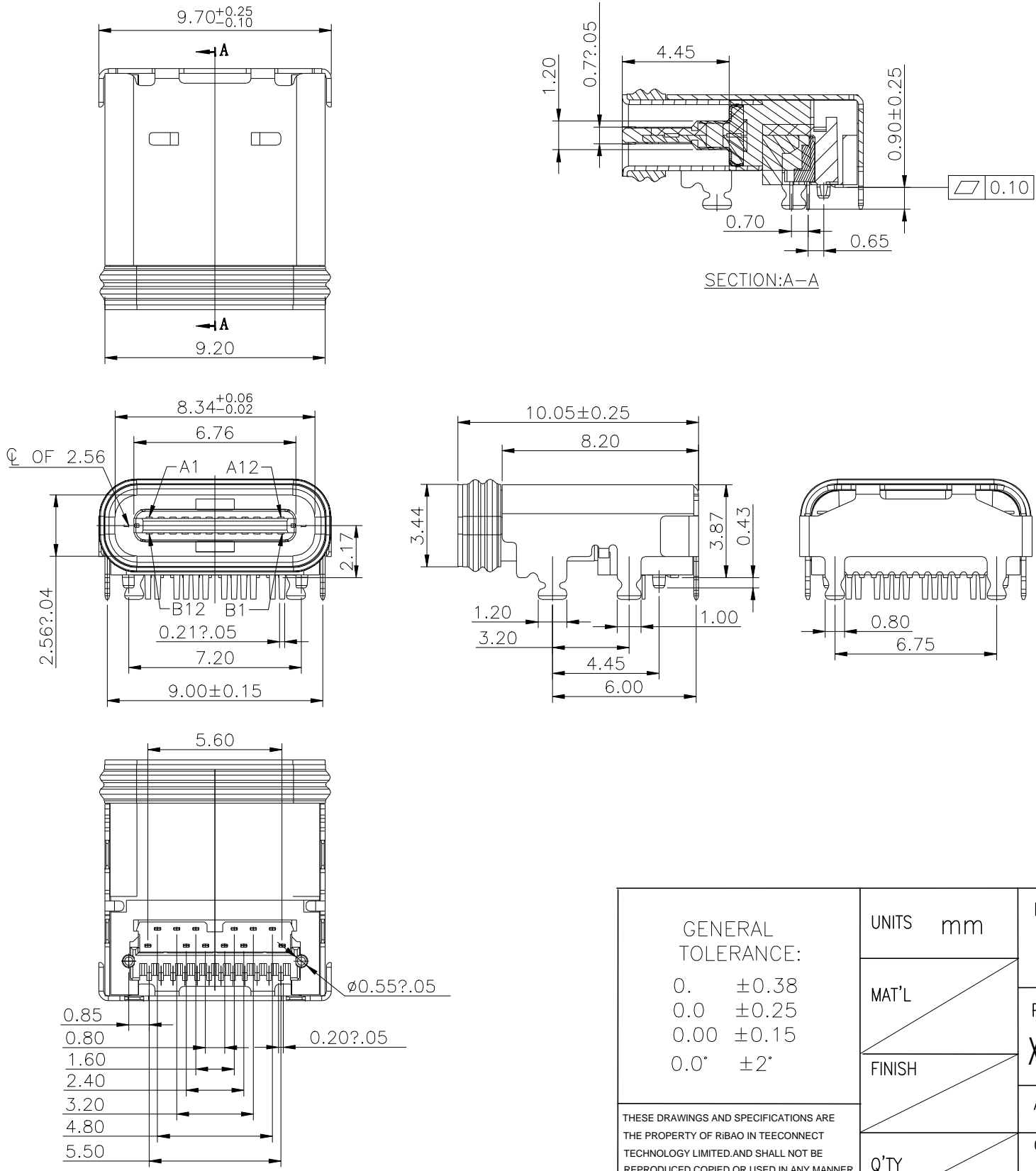


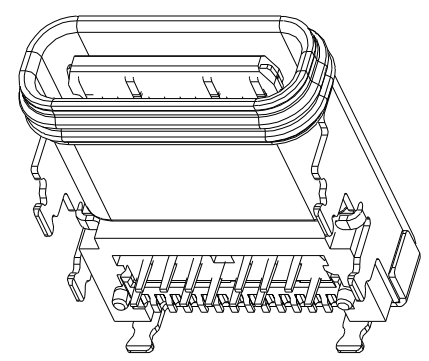
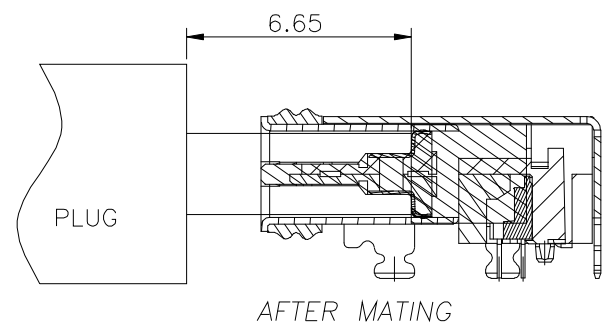
REV	ECN.NO	APPD.
A	XYX-279FZ-24TC-27901	ZHENBO LIU
B	XYX-279FZ-24TC-27901	QiaoZhen LIN

- NOTES:
- 1.MATERIAL:
MOLDING: LCP UL94 V-0
CONTACT:COPPER ALLOY.
PLATED GOLD ON CANTACT AREA,
G/F GOLD ON SOLDER AREA,
50u" NICKEL PLATING OVER ALL.
SHELL: SUS304-H,T=0.30±0.03mm
50u" NICKEL PLATING OVER ALL.
EMI SHILD:SUS304-H,T=0.12±0.03mm
LATCH:SUS301-H,T=0.15±0.03mm
 - 2.MECHANICAL:
INSERTION: 5~20N.
EXTRACTION: 8~20N.
DURABILITY: 10000 CYCLES
 - 3.ELECTRICAL:
CURRENT: 5A MAX FOR VBUS;
1.25A FOR GND,0.25A FOR OTHER OTHER.
VOLTAGE: 20VDC MAX
WITHSTANDING VOLTAGE: 100V AC.
CONTACT RESISTANCE: 40mΩ MAX.
INSULATION RESISTANCE: 100MΩ MIN.
 - 4.ENVIRONMENTAL
TEMPERATURE RANGE: -55°C TO +80°C



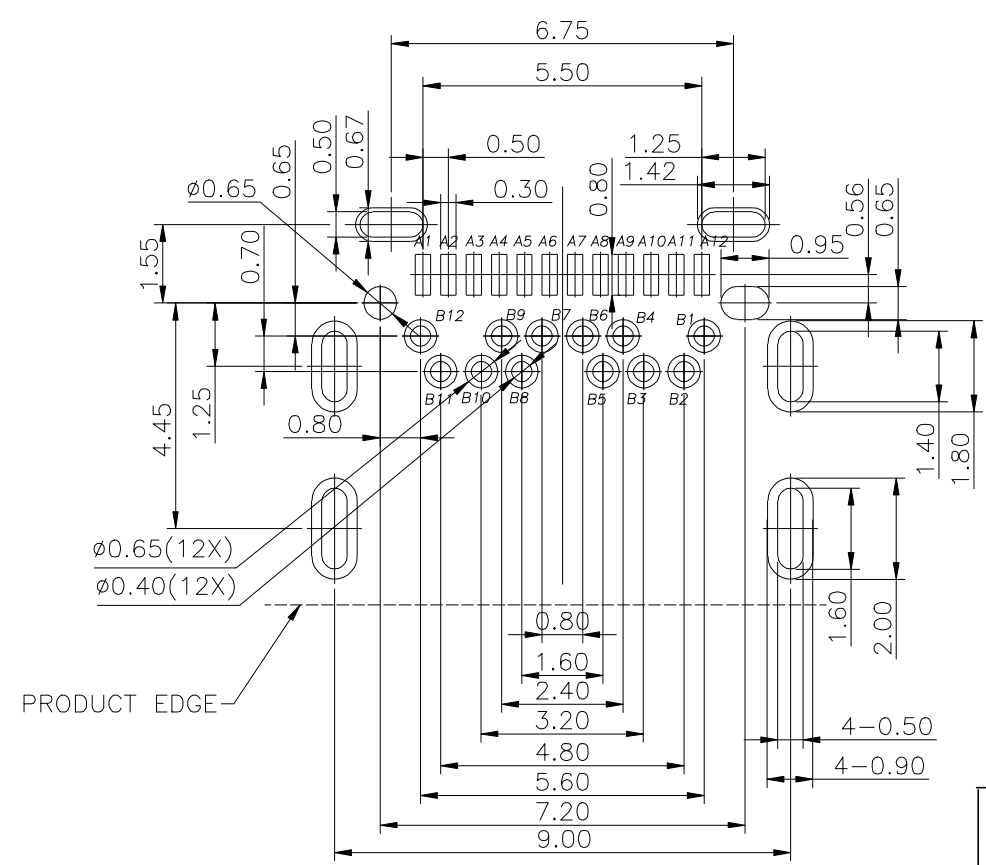
GENERAL TOLERANCE: 0. ±0.38 0.0 ±0.25 0.00 ±0.15 0.0° ±2°	UNITS	mm	NAME(INTENDED USE)	深圳市日宝电子科技有限公司 Shenzhen RB Electronic Technology Co., Ltd.					
	MAT'L		PART NO.(INTENDED USE)	CLASS: <input type="checkbox"/> CONFIDENTIAL <input type="checkbox"/> SECRET <input checked="" type="checkbox"/> GENERAL					
	FINISH		APPD:	TITLE.: CUSTOMER DRAWING					
	Q'TY		CHKD:	DWG NO.:					
THESE DRAWINGS AND SPECIFICATIONS ARE THE PROPERTY OF RIBAO IN TEECONNECT TECHNOLOGY LIMITED.AND SHALL NOT BE REPRODUCED COPIED OR USED IN ANY MANNER WITHOUT THE PRIOR WRITTEN CONSENT OF RBCONN INTERCONNECTEC HNOLOGY LIMITEDCT			DR:	ZHIYI LI	12/04'16		SHEET 1/4	SCALE 1:1	REV B

REV	ECN.NO	APPD.
A	XYX-279FZ-24TC-27901	ZHENBO LIU
B	XYX-279FZ-24TC-27901	QiaoZhen LIN



USB TYPE-C FULL-FEATURED RECEPTACLE INTERFACE PIN ASSIGNMENTS

PIN	Signal Name	Description	PIN	Signal Name	Description
A1	GND	Ground return	B12	GND	Ground return
A2	SSTXp1	Positive half of first SuperSpeed TX differential pair	B11	SSRXp1	Positive half of first SuperSpeed RX differential pair
A3	SSTXn1	Negative half of first SuperSpeed TX differential pair	B10	SSRXn1	Negative half of first SuperSpeed RX differential pair
A4	Vbus	Bus Power	B9	Vbus	Bus Power
A5	CC1	Configuration Channel	B8	SBU2	Sideband Use (SBU)
A6	Dp1	Positive half of the USB 2.0 differential pair-Position 1	B7	Dn2	Negative half of the USB 2.0 differential pair-Position 2
A7	Dn1	Negative half of the USB 2.0 differential pair-Position 1	B6	Dp2	Positive half of the USB 2.0 differential pair-Position 2
A8	SBU1	Sideband Use (SBU)	B5	CC2	Configuraaation Channel
A9	Vbus	Bus Power	B4	Vbus	Bus Power
A10	SSRXn2	Negative half of second SuperSpeed RX differential pair	B3	SSTXn2	Negative half of second SuperSpeed TX differential pair
A11	SSRXp2	Positive half of second SuperSpeed RX differential pair	B2	SSTXp2	Positive half of second SuperSpeed TX differential pair
A12	GND	Ground return	B1	GND	Ground return

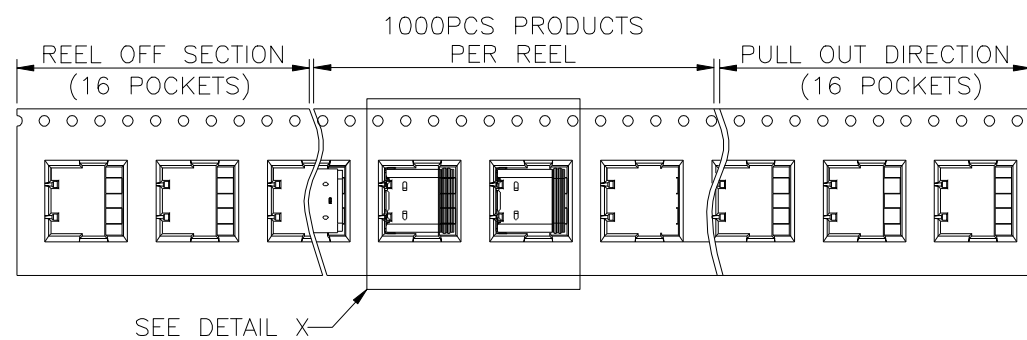


SCALE 1.5:1

RECOMMENDED PCB LAYOUT(TOP VIEW)
THICKNESS 1.0 MM;DEFAULT TOLERANCE:±0.05

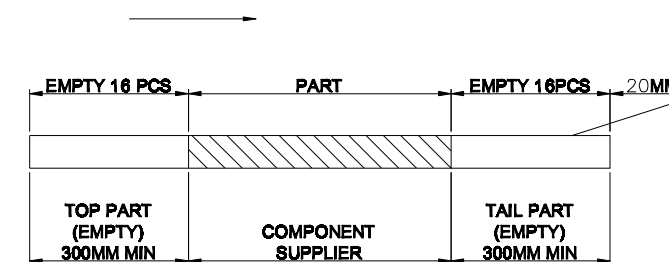
<p>GENERAL TOLERANCE:</p> <p>0. ±0.38</p> <p>0.0 ±0.25</p> <p>0.00 ±0.15</p> <p>0.0° ±2°</p> <p>THESE DRAWINGS AND SPECIFICATIONS ARE THE PROPERTY OF RIBAO IN TEECONNECT TECHNOLOGY LIMITED.AND SHALL NOT BE REPRODUCED COPIED OR USED IN ANY MANNER WITHOUT THE PRIOR WRITTEN CONSENT OF RBCONN INTERCONNECTEC HNOLGY LIMITEDCT</p>	UNITS	mm	NAME(INTENDED USE)	<p>深圳市日宝电子科技有限公司 Shenzhen RB Electronic Technology Co., Ltd.</p> <p>CLASS: <input type="checkbox"/> CONFIDENTIAL <input type="checkbox"/> SECRET <input checked="" type="checkbox"/> GENERAL</p> <p>TITLE.: CUSTOMER DRAWING</p> <p>DWG NO.:</p>
	MAT'L		PART NO.(INTENDED USE)	
	FINISH		XYX-279FZ-24TC-27901	
	Q'TY		APPD: ZHENBO LIU 12/04'16	
			CHKD: QiaoZhen LIN 12/04'16	<p>SHEET</p> <p>2 / 2</p>
			DR: ZHIYI LI 12/04'16	
				<p>REV</p> <p>B</p>

REV	ECN.NO	APPD.
A	XYX-279FZ-24TC-27901	ZHENBO LIU
B	XYX-279FZ-24TC-27901	QiaoZhen LIN

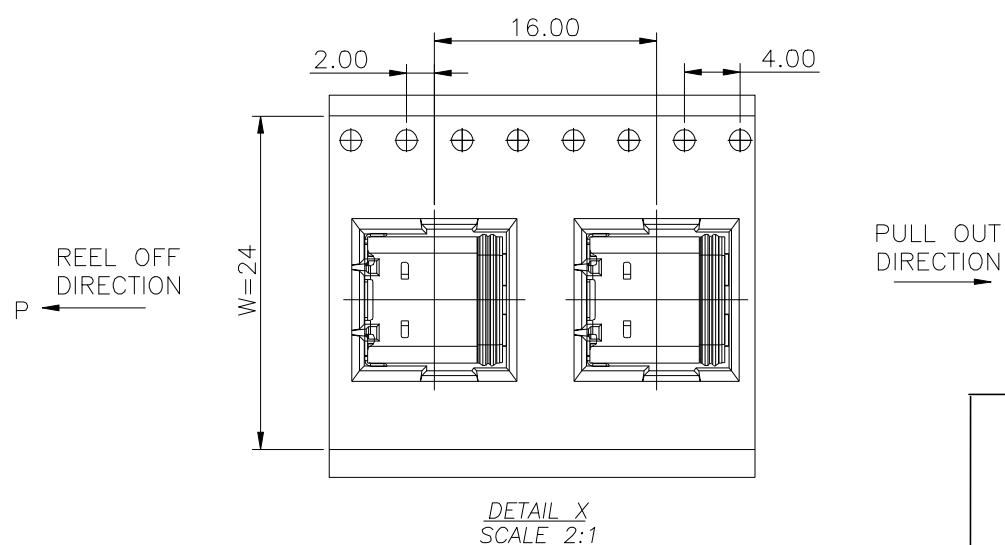
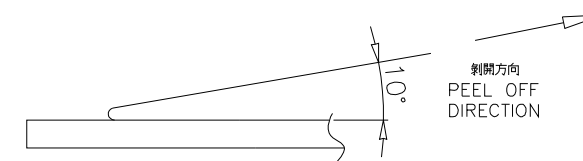
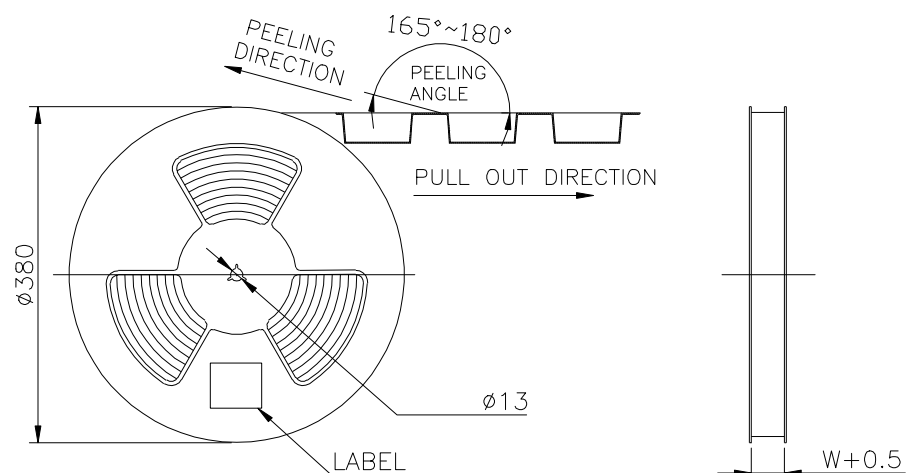


NOTES

1. 帶子引導長度
LEAD TAPE LENGTH
出料方向
PULL OUT DIRECTEON



2. 上帶剝力為: 0.1~1.3N(10.2gf~130gf)
PEELING OFF FORCE OF TOP TAPE: 0.1~1.3N(10.2gf~130gf)
出貨運輸過程中一定注意:
THIS REQUIREMENT SHOULD BE APPLIED AT SHIPMENT:
卷帶在運輸過程中不能散開
PEELING OFF SHOULD NOT BE ALLOWED DURING TRANSPORTATION

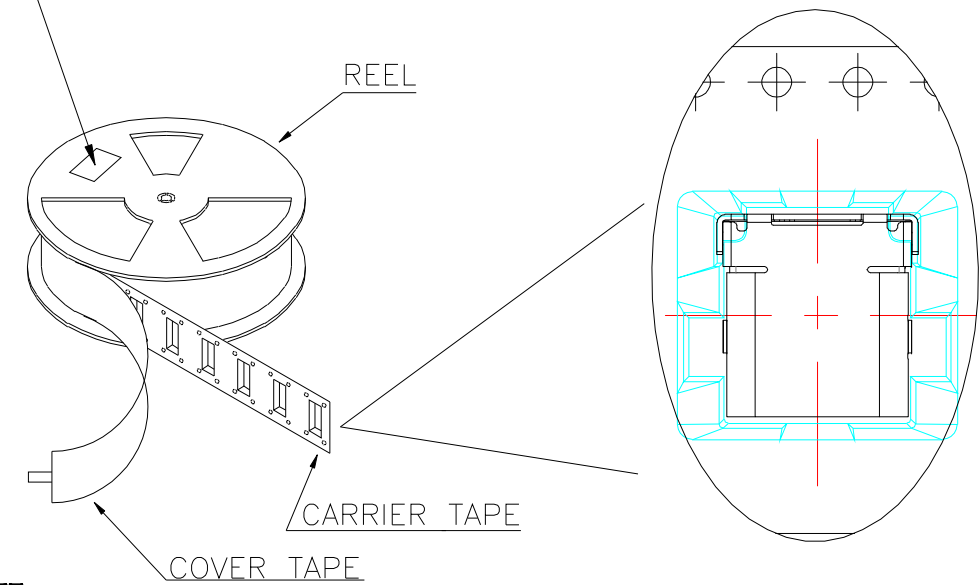
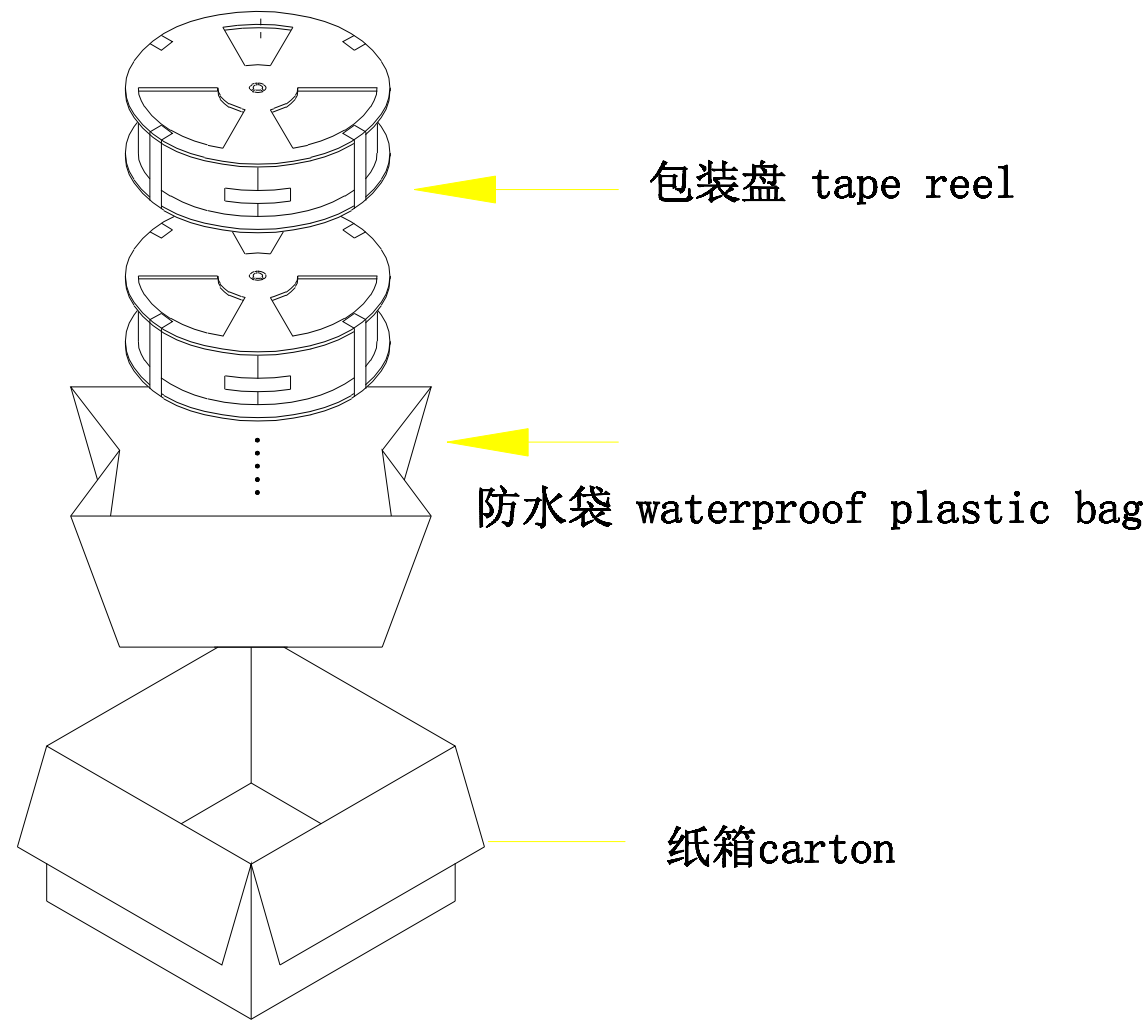


<p>GENERAL TOLERANCE:</p> <p>0. ±0.38</p> <p>0.0 ±0.25</p> <p>0.00 ±0.15</p> <p>0.0° ±2°</p> <p>THESE DRAWINGS AND SPECIFICATIONS ARE THE PROPERTY OF RIBAO IN TEECONNECT TECHNOLOGY LIMITED AND SHALL NOT BE REPRODUCED COPIED OR USED IN ANY MANNER WITHOUT THE PRIOR WRITTEN CONSENT OF RBCONN INTERCONNECTEC HNOLGY LIMITEDCT</p>	UNITS	mm	NAME(INTENDED USE)	<p>深圳市日宝电子科技有限公司 Shenzhen RB Electronic Technology Co., Ltd.</p> <p>CLASS: <input type="checkbox"/> CONFIDENTIAL <input type="checkbox"/> SECRET <input checked="" type="checkbox"/> GENERAL</p> <p>TITLE.: CUSTOMER DRAWING</p> <p>DWG NO.:</p>						
	MAT'L		PART NO.(INTENDED USE)							
	FINISH		XYX-279FZ-24TC-27901							
	Q'TY		APPD: ZHENBO LIU 12/04'16							
			CHKD: QiaoZhen LIN 12/04'16	<table border="1"> <tr> <td>SHEET</td> <td>SCALE</td> <td>REV</td> </tr> <tr> <td>3 / 4</td> <td>1:1</td> <td>B</td> </tr> </table>	SHEET	SCALE	REV	3 / 4	1:1	B
SHEET	SCALE	REV								
3 / 4	1:1	B								
			DR: ZHIYI LI 12/04'16							

REV	ECN.NO	APPD.
A	XYX-279FZ-24TC-27901	ZHENBO LIU
B	XYX-279FZ-24TC-27901	QiaoZhen LIN

Location of label sticking (label at small positioning hole of the carrier tape side).

标签粘贴处（朝卷装包材的小定位孔一侧）



NOTE:

1. 每卷包装数量及每箱装箱数量如左下表格。
Packing q'ty of each reel & carton as below table shown.
2. 以上胶帶覆盖下包装帶经包装机自粘包装
Use cover tape to cover and hot melt machine to seal up.
3. 將装满产品的卷盘放入纸箱并以胶帶封口
Put reels in the carton and use adhesive tape to seal up.

1000	10	10000
PCS/REEL	REEL/BOX	TOTAL Q'TY


GENERAL TOLERANCE: 0. ±0.38 0.0 ±0.25 0.00 ±0.15 0.0° ±2°	UNITS	mm
	MAT'L	
	FINISH	
	Q'TY	
THESE DRAWINGS AND SPECIFICATIONS ARE THE PROPERTY OF RIBAO IN TEECONNECT TECHNOLOGY LIMITED, AND SHALL NOT BE REPRODUCED COPIED OR USED IN ANY MANNER WITHOUT THE PRIOR WRITTEN CONSENT OF RBCONN INTERCONNECTEC HNOLGY LIMITEDCT	NAME(INTENDED USE)	
	PART NO.(INTENDED USE)	XYX-279FZ-24TC-27901
	APPD:	ZHENBO LIU 12/04'16
	CHKD:	QiaoZhen LIN 12/04'16
	DR:	ZHIYI LI 12/04'16


 深圳市日宝电子科技有限公司
 Shenzhen RB Electronic Technology Co., Ltd.

CLASS: CONFIDENTIAL SECRET GENERAL

TITLE.: CUSTOMER DRAWING

DWG NO.:

	SHEET	SCALE	REV
	4 / 4	1:1	B